



GRAB REVENUE, NOT DIRT

SAS RAKE FORKS



GREAT FOR BAILER LOADING, WHITE GOODS, WOOD, LOOSE ROCK & DEBRIS

GRAB REVENUE, NOT DIRT:

- Keep your revenue up with clean material moving out! SAS™ RAKE FORKS minimizes unwanted gravel & dirt pick up during transfer.
- Series of fork tines allows operator to pick up irregular shaped materials.
 - Metal Recyclers: Load scrap steel, white goods & loose sheet metal into crushers & bailers by avoiding undesirable dirt which downgrades your recycling revenue.
 - Landscapers: Confidently feed chippers with brush, branches & scrap pallets.
- CLEAN UP OF GROUND DEBRIS is a snap.

STANDARD & CUSTOM DESIGNS FOR YOUR APPLICATION:

- BUILT WITH SOLID STEEL high strength blades for extended service life.
- Type 1: Fixed, welded in place, vertical blades, offering maximum vertical strength.
- Type 2: Fixed, shaft mounted, flat position blades, offering maximum horizontal strength & lowest entry height under materials. Blades can be changed in this unit very easily by removing a bolt & shaft.
- Heavy duty designs allow for maximum machine output & attachment longevity.

SASFORKS attachments are trusted to handle over 12 Million lifts annually!

BEST SUITED FOR:

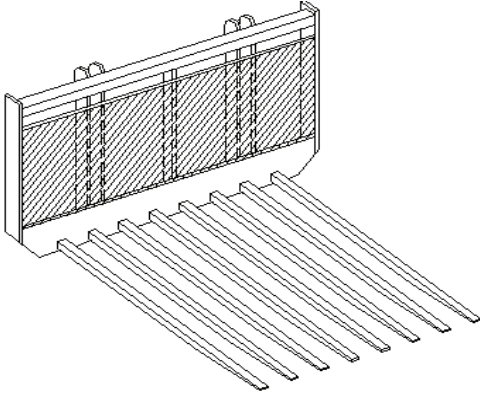
- 26,000 lbs. wheel loader curb weight minimum.



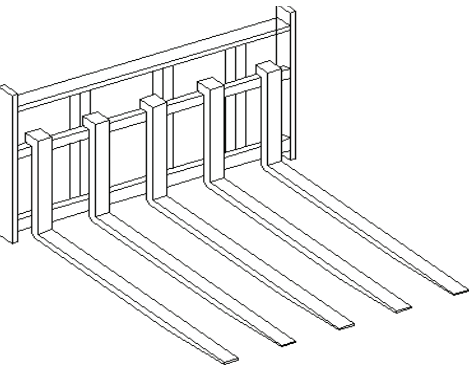
GRAB REVENUE, NOT DIRT

SAS RAKE FORKS FOR BAILER LOADING, WOOD & DEBRIS

Type 1: Standard Duty:
Welded in Place Blades



Type 2: Heavy Duty:
Shaft Mounted, Top Lock Blades



Item	Standard Duty	Heavy Duty	Custom Size
Rake Type	1	2	
OVERALL CARRIAGE			
A-Carriage Width	96"	80"	_____
B-Carriage Back Height	29"	29"	_____
SOLID STEEL BLADES			
C-Blade Thickness	5"	2"	_____
D-Blade Width	3"	4"	_____
E-Usable Length	48-60"	60"	_____
F-Taper Length	22"	29"	_____
G-Taper Facing	up	down	_____
H-Blade Shape	Vertical	Std"L"	_____
I-Blade Quantity	8	6	_____
J-Blade Spacing	10"	10"	_____
BLADE MOUNTING / SERVICE			
Mounting	welded	shaft	
Approx. Replacement Time	3 hours/blade	1/2 hour/blade	
OVERALL APPROXIMATE			
Rake Fork Assembly Weight	3,500#	4,500#	
Capacity at 2' Load Center	20,000#	30,000#	
NOTES:			
Customer Sign X: _____ Date: ___/___/___			
Print Dealer Contact Person: _____			
Measurements may vary for engineering, if critical please note as "critical" above.			

Contact your local dealer:

CAPACITY CONSIDERATIONS

What are you lifting? _____

Max Load desired? _____ # @ _____ Load Center:

Machine capacity? _____ # @ _____

Machine curb weight? _____ #

Breakout force? _____ #

MACHINE: Make _____ Model _____

Serial # _____

Attachment: 3 Pin, 4 Pin, Quick Coupler:

Mfg _____ Series _____ S/N _____