



SUSTAINABLE IMPACT

HEAVY DUTY SAS QUARRY FORKS FOR DIMENSIONING STONE



MADE IN THE USA



QUARRYING APPLICATIONS REQUIRE FORKS AND CARRIAGES DESIGNED FOR SUSTAINED IMPACT

PRYING AND CHISELING OF CUT OR BLASTED STONE:

- Forks designed to maintain 100% of breakout force* of machine.
- Fork carriage utilizes "T" and double "TT" to absorb impact and disperse it throughout machine to lesson absorbed shock.
- SAS Quarry forks have an added 500-1000lbs. of lift capacity over competitors.
- Zero down time, SAS forks have been field tested with NO fork breakage.

ENGINEERED & BUILT FOR OPTIMUM PERFORMANCE:

- SAS Quarry fork carriage built completely of high tensile steel for optimum durability & life.
- Solid Steel forged fork 30% stronger than T-1 material.
- Assembly virtually maintenance free, forks can be replaced on site if necessary.**
- Multi-use fork spacing, no need to switch forks back & forth for lifting & quarrying.
- Designed for high visibility necessary in quarrying, lifting dimensioned stone, loading & unloading of trailers.

SAS FORKS are trusted to handle over 12 Million lifts annually!

BEST SUITED FOR:

SAS Quarry forks are available for machines from 3000lbs.-200,000lbs.

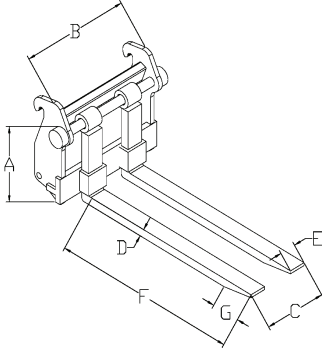
(*Breakout force-Prying action of removing stone.) **At customers expense.)



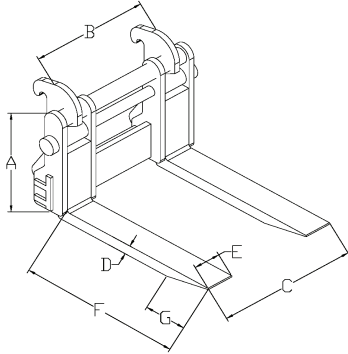
SUSTAINABLE IMPACT

HEAVY DUTY SAS QUARRY FORKS FOR DIMENSIONING STONE

1



2,3,4



Maximum Outside Width of fork placement examples:

Typical Couplers	Type 1	Type 2
Cat IT 28	20"	28"
Cat IT 38	34"	44"
JRB 416	28"	36"
JRB 418	30"	38"
JRB 420	27"	35"
Volvo L50—L120	38"	45"
Volvo L160-L220	39"	52"

Item	Standards				Custom
FORK TYPE	1	2	3	4	
Typical Machine Wt	<44K	45-69K	70-119K	>120K	
Shaft	3.5"	3.5"	6.0"	8.0"	_____
CARRIAGE					
A-Back Height	33"	40"	40"	60"	_____
B-Carriage Width	42"	56"	65"	81"	_____
C-Outside Fork Spacing	20-38"	52"	56"	70"	_____
FORGED STEEL FORKS					
D-Blade Thickness	3 1/2"	4"	5"	6"	_____
E-Blade Width	8"	10"	10"	12"	_____
F-Usable Length	72"	72"	72"	72"	_____
G-Approx Taper Length	43"	30"	47"	47"	_____
FORK MOVEMENT					
Fork position is fixed for maximum strength _____					
SPECIAL NOTES:					
Handling overall maximum block size _____ x _____ x _____					
Note: All sizes are preliminary and subject to change by Engineering. Limited warranty does not cover blade wear, bull nosing, or damage to fuseable links which retain the forks from swinging.					
Customer Sign X: _____ Date: ___/___/___					
Print Dealer Contact Person: _____					
Measurements may vary for engineering, if critical please note as "critical" above.					

Contact your local dealer:

BWQ#

S.A.S. of Luxemburg, Ltd.
 133 Center Drive, Hwy 54
 Luxemburg, WI 54217-0260

Phone: 920-845-2198
 Fax: 920-845-2309

Paul's Email: psecker@sasforks.com
 Adam's Email: alindley@sasforks.com

Web Site: www.sasforks.com

CAPACITY CONSIDERATIONS

Max Load desired? _____ # @ _____ L/C
 Max Load Size? Ht. _____ Width _____ Depth _____
 Will you be prying with the forks? Yes No
 Breakout force? _____ # @ _____ Bkt Dpth L/C

TOOL OR PALLET POCKET RESTRICTIONS

Pocket Spacing: Outside to outside _____"
 Pocket Opening: Height _____" Width _____"

MACHINE: Make _____ Model _____
 Serial # _____

Attachment: 3 Pin, 4 Pin, Quick Coupler:
 Mfg _____ Series _____ S/N _____