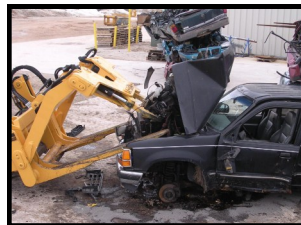
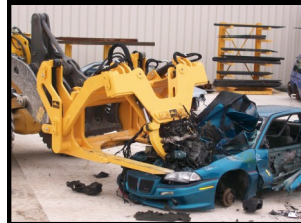




# EXTRACT REVENUE FAST

## SAS™ SCORPION™ ENGINE PULLER FOR AUTO RECYCLERS



### INCREASE CASH RECOVERY FROM YOUR RECYCLING OPERATIONS.

#### FAST & SIMPLE INSTALLATION

- Fits direct pin mount machines and quick coupler machines
- Only requires 1 auxiliary spool

#### GENERATE REVENUE:

- Process end of life vehicles in less than 60 seconds.\*
- Pull scrap engines and transmissions in 30 seconds.\*
- 30%\* more revenue by separating metals from bodies.
- 1000%\* more revenue per lb. on wire harness from engine compartment & dash.
- 80% more visibility with a direct line of site from the operator's window through the forks.
- Cycle time less than 15 seconds from park to full extension.\*
- Serviceable for long life. Replace blades in 3 hours or less on Class 30 Scorpion.

#### ENGINEERED & BUILT FOR OPTIMUM PERFORMANCE:

- ENGINEERED TOUGH for continuous prying & durability.
- Hardened pins and bushings and grease-able pivot points for extend service life.
- Hydraulic hoses & cylinders are protected to minimize potential damage from sharp objects.
- Built with high strength blades & Class 30 Scorpion has carriage skid plates for extended service.
- Clean up of ground debris is a snap with center plow blade.
- Speed is paramount in this design. Operator uses grapple from the cab, no torches, no personnel needed to hook up chains to pull or move engines. Safer, quicker & less costly removal of engines & transmissions.

**SAS FORKS are trusted to handle over 12 Million lifts annually!**

#### BEST SUITED FOR:

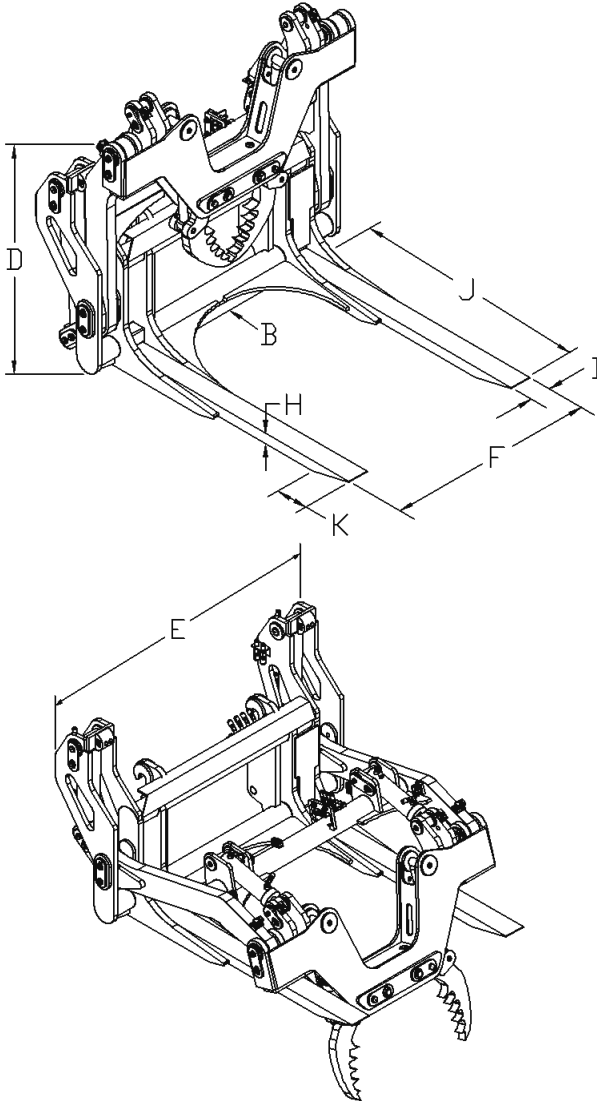
- Wheel loader with 3rd hydraulic spool controlled by separate lever, 2,500-4,000 PSI, 15-40 GPM,  $\geq 3/4$ " ID lines
- 30,000 to 48,000 lbs. wheel loader curb weight; Class 30 (attachment 6,050#) (blade cap. 27,400# @2' L/C)  
Class 30 attachment width limits: Pin Mount 55" Max. outside to outside on machine arm pin bosses. Quick Coupler frame 58" Max. outside width.
- 22,500 to 29,999 lbs. wheel loader curb weight; Class 20 (attachment 4,500#) (blade cap. 22,500# @2' L/C)  
Class 20 attachment width limits: Pin Mount 45" Max. outside to outside on machine arm pin bosses. Quick Coupler frame 48" Max. outside width.

(\*estimated only)



# EXTRACT REVENUE FAST

## SCORPION™ ENGINE PULLER FOR AUTO RECYCLERS



Item	CLASS 30	CLASS 20	Options
<b>A-Wheel Loader Curb Weight</b>	29-48k#	22-28k#	
<b>B-Center Clean Up Plow</b>	yes	yes	
<b>Side Pressure Plate</b>	yes	no	
<b>C-EXTENDED SERVICE</b>			
<b>Carriage Skid Plates</b>	yes	no	
<b>D-LOAD TIP BACK PROTECTION</b>			
<b>Back Height</b>	60"	60"	
<b>E-LOAD STABILIZATION</b>			
<b>Overall Width</b>	84"	70"	
<b>F-Fork Spacing</b>	60"	63"	
Outside to Outside (fixed)			
<b>G-Blade Solid Steel</b>	Forged	A514	
<b>H-Blade Thickness x Width</b>			
3.0x6 blades: Loader 22-35K#	3"x 6"	3"x 7"	
3.5x6 blades: Loader 36-48K#			3.5"x 6"
<b>J-Blade Useable Length</b>	84"	84"	
Useable Length Measured from vertical face of the carriage to the tip.			
<b>K-Blade Taper Length</b>	12"	10"	
<b>L-Blade Taper Facing</b>	down	up	up
<b>M-Installation Pins</b>	no	no	yes
<b>N-Color</b>	Yellow	Yellow	
<b>O-Electrical Requirements:</b>	24 volt	24 volt	12 volt
Space needed inside cab to accommodate 6" x 8" x 4" control box.			
<b>P-Hydraulic Requirements existing on loader:</b>			
-Separate auxiliary control lever in cab.			
-Min 2,500 PSI & 15 GPM, Max 4,000 PSI. Recommended 3,500 PSI & 35 GPM			
-Min 3/4" inside diameter auxiliary lines to front of loader arms			
-Customer to supply hoses from machine to Scorpion.			
<b>Customer Sign X:</b> _____	<b>Date:</b> ___/___/___		
<b>Print Dealer Contact Person:</b> _____			
Measurements may vary for engineering, if critical please note as "critical".			

### Contact:

S.A.S. of Luxemburg, Ltd.  
133 Center Drive, Hwy 54  
PO Box 260  
Luxemburg, WI 54217-0260 USA

Phone: 877-sasfork/727-3675

Fax: 920-845-2309

East of Mississippi: Casey: casey@sasforks.com

West of Mississippi Adam: adam@sasforks.com

International Paul: paul@sasforks.com

Web Site: www.sasforks.com

### BWQ:

#### CAPACITY CONSIDERATIONS Load Center:

Machine capacity? \_\_\_\_\_ # @ \_\_\_\_\_

Max Load desired? \_\_\_\_\_ # @ \_\_\_\_\_

Machine curb weight? \_\_\_\_\_ #

#### TOOL OR PALLET POCKET RESTRICTIONS

Pocket Spacing: Outside to outside \_\_\_\_\_"

Pocket Opening: Height \_\_\_\_\_" Width \_\_\_\_\_"

**MACHINE:** Make \_\_\_\_\_ Model \_\_\_\_\_

Serial # \_\_\_\_\_

Voltage 24 Volt 12 Volt

Existing 3rd Spool Separate Lever Yes No

Attachment: 3 Pin, 4 Pin, Quick Coupler:

Mfg \_\_\_\_\_ Series \_\_\_\_\_ S/N \_\_\_\_\_