



DUMPSTERS STORE AND MOVE MATERIALS



Lift, Move & Dump

Designed for wheel loaders with quick couplers

DUMPSTER IS DESIGNED TO ALLOW SIMPLE HANDLING & TRANSPORT OF DEBRIS

- Increases **safety** by providing for direct quick coupler engagement and locking for transport
Eliminates unsafe lifting and transport of truck boxes or containers sliding off forks
- Enables **local collection** of components near car processing area
Eliminates need for duplicate containers and pallets
- Promotes **clean** work stations and cleanliness work habits by providing organized bins
Eliminates need for use of old damaged truck boxes or repurposed pallets
- Enables **quick transfer** of components to your next process station or bulk transfer trailer
Eliminates duplicate chaining, lifting & moving of individual of engines and trans.
- Enables **versatile attachment** for easy moving
Eliminates need to have additional loader or skid steer in work area.

DURABLE CONSTRUCTION

- Light-Duty all steel construction.
- Skid plates to prevent bottom wear
- Drain holes to prevent water from filling bottom.

MULTIPLE USES

- Mulch
- Core Engines
- Copper Wire
- Sawdust
- Transmissions
- Waste Material

SIMPLE ATTACHMENTS INSTALLATION & REMOVAL

- Simply hook quick coupler to the rear of bucket and you are ready to go.
- Optional quick coupler brackets (ISO, JRB, Fusion, etc.) for direct coupler to loader

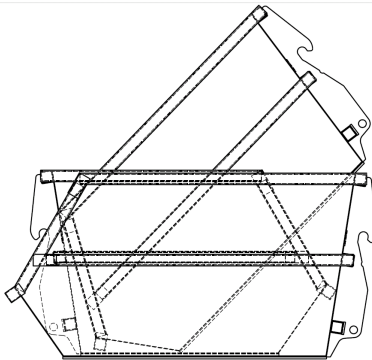
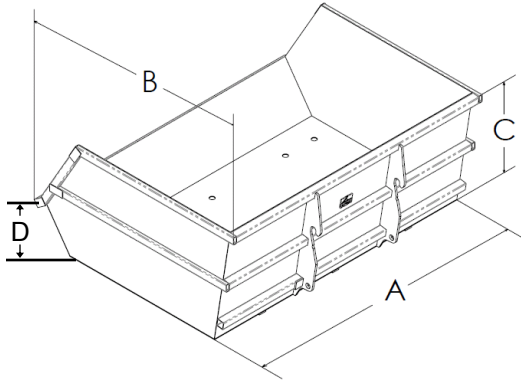
SAS FORKS are trusted to handle over 12 Million lifts annually!

BEST SUITED FOR:

20 TO 40,000# Wheel loaders with quick couplers. Not available in direct pin attach.



DUMPSTER TO STORE AND MOVE MATERIALS



Sample shipping configuration for stages sizes.

OVERALL DUMPSTER SIZE

Approximate cubic yard size	9 yd	9 yd	9 yd
A-Overall bucket width	108"	114"	120"
B-Overall total depth	96"	84"	96"
Depth dependent on quick coupler type. Maximum overall depth including to back Of coupler bracket is 96" due to shipping.			
C-Overall total height	48"	48"	48"
D-Overall upper side depth	19"	19"	19"
E-Approx. dumpster weight (lbs.)	1,800	1,800	1,800
F-Approximate lift capacity (lbs.)	5,000	5,000	5,000
G-Standard exterior paint color	Yellow	Yellow	Yellow
(black, blue, green and orange available for an added cost)			

H- Custom sizes available

(A) _____ x (B) _____ x (C) _____ x (D) _____

I-Mounting method to wheel loader

(__JRB / __Volvo / __Cat / __ACS/ __Balderson)
details: _____

Customer Sign X: _____ Date: __/__/____
Measurements may vary for engineering, if critical please note as "critical".

Contact:

S.A.S. FORKS
133 Center Drive, Hwy 54
PO Box 260
Luxemburg, WI 54217-0260 USA

Western USA Email: adam@sasforks.com
Eastern USA Email: paul@sasforks.com

Phone: 920-845-2198
Fax: 920-845-2309

Web Site: www.sasforks.com

BWQ:

CAPACITY CONSIDERATIONS Load Center:
Max Load desired? _____ # @ _____
Machine curb weight? _____ #
MACHINE: Make _____ Model _____
Serial # _____
Attachment: Quick Coupler, detail below
Mfg _____ Series _____ S/N _____